

## 5083 Nuda 60

Countertop - wall hung single-hole basin 60 cm

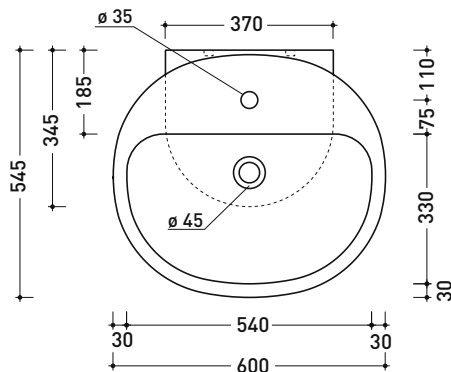
• with overflow

Complements: FORTY6 shelf (F65083)  
 CUBIKA wall hung vanity units depth 50 cm  
 DENVER furniture (DV103M)  
 Line taps basin: ONE - NOKÉ - FOLD - X1 - STIL  
 Line accessories: TWO - HOOP - FOLD

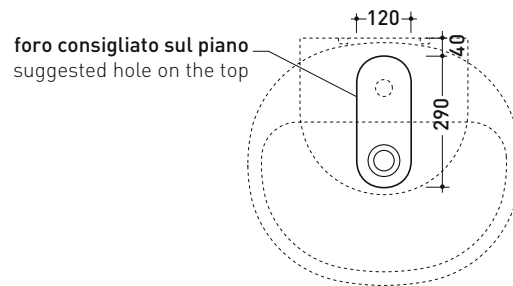
Technical accessories: Chrome siphon (SIFL/CR) - Telescopic chrome siphon (SIFL066)  
 Stop & Go drain (PLSG)  
 CERAMIC Stop & Go drain (PLCE)  
 Two piece set chrome tap filters (RF026)  
 Fixing kit for wall (9002)

Package dim. 60 x 19 x 56 cm | Weight 17,4 kg | Pz. Pallet n° 20

CE UNI EN 14688 - CL20 Dop-No14688

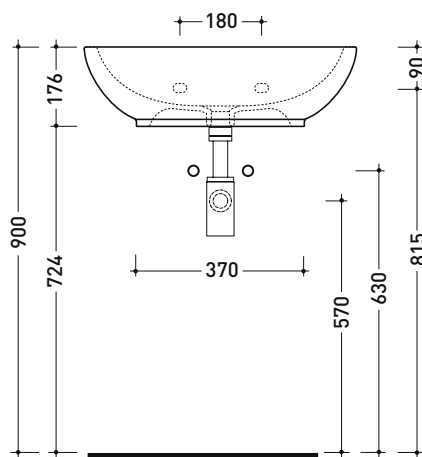


vista zenitale / zenital view

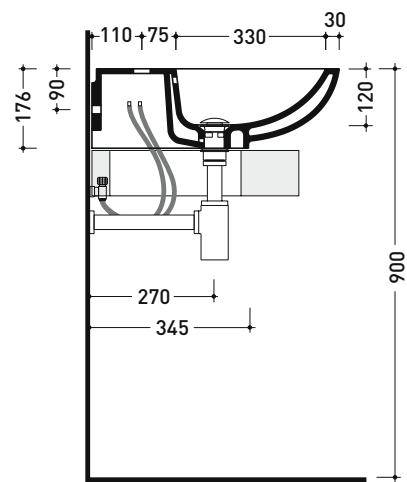


foro consigliato sul piano  
suggested hole on the top

vista zenitale / zenital view



vista frontale / frontal view



sezione longitudinale / section

sizes in mm

Please consider a 2% tolerance on indicated measurements