



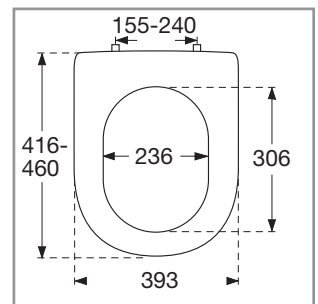
## Toilet seat Lifetime

### Model

**9M02 S1** Lifetime toilet seat with Soft Closing and Quick Release, incl. 9M02 S0 61 universal top mounted toggle hinge with Quick Release

### Product Description

Lifetime toilet seat in Wrap Over design made of colour ingrained duroplast with hinge in stainless steel and plastic  
 – incl. universal top mounted toggle hinge with Quick Release in stainless steel  
 – centre distance: 155-240 mm  
 – load of ring seat: 240 kg  
 – 10 year guarantee



### Colour Programme

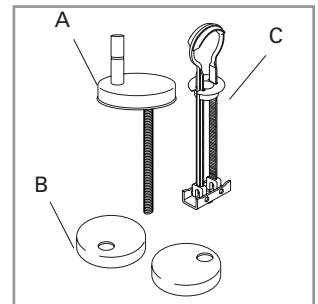
01 White (Alpin)  
 R3 Pergamon

### Hinge Finish

61 Stainless steel

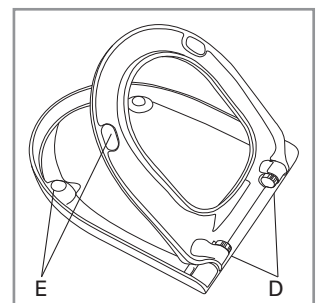
### Spare Parts

- A) 9M02 S0 61 Universal top mounted toggle hinge with Quick Release
- B) 9222 05 00 Spare part cover caps for universal top mounted toggle hinge with Quick Release.
- C) 9218 96 00 Spare part for universal top mounted toggle hinge with Quick Release
- D) 9224 50 00 Soft Closing packet
- E) 9222 29 00 Buffers for seat and cover



### Cleaning Instructions

Use a mild soap solution. Seat and hinge should not be left damp, but be dried with a soft cloth. When using abrasive, corrosive or chlorine based cleaners for the bowl, avoid contact with seat and hinge as it may lead to damages or flash rust. Therefore, when cleaning the bowl, make sure that seat and cover are in an upright position until all the cleaner has been flushed away

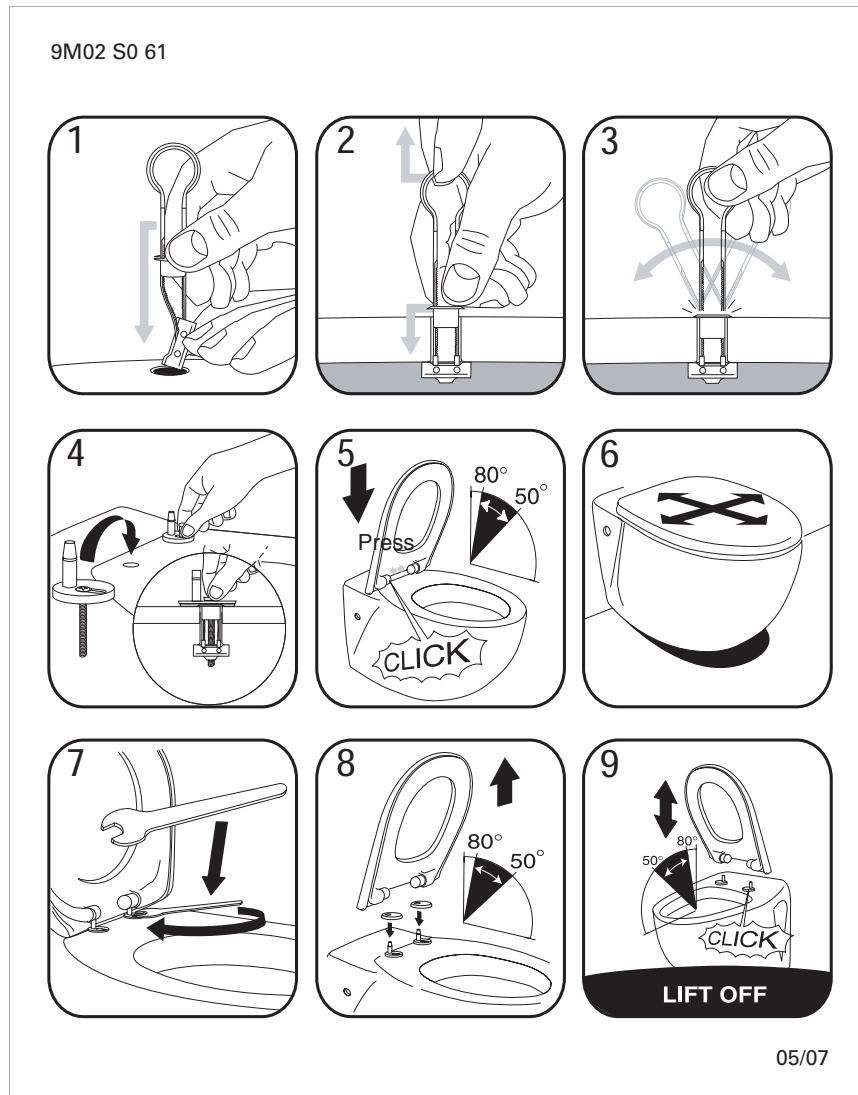


Villeroy & Boch

1748

# Toilet seat Lifetime

## Instruction manual



[Click here for video](#)

## Material Description

**TOILET SEAT:** The material is colour ingrained duroplast (UF A 10 = urea formaldehyde) that contains no environmentally hazardous substances. The body consists of approx. 50% urea ( $\text{NH}_2\text{CONH}_2$ ), approx. 25% cellulose and approx. 25% formaldehyde ( $\text{HCHO}$ ), as well as small amounts of various fillers and additives.

**BUFFERS:** EVA (copolymer made of ethylene and vinyl acetate).

**DAMPER KIT:** Hydraulic damper with stainless steel damper casing and plastic parts.  
Damper liquid: Anti-friction liquid.

**MOUNT/HINGE:** Stainless steel.

## Guarantee

The guarantee includes faults or defects in the material of our products within a period of 10 years. Products subject to minor technical modifications and design deviations E. & O.E.