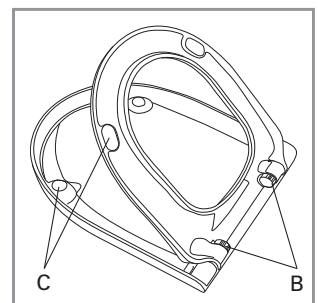
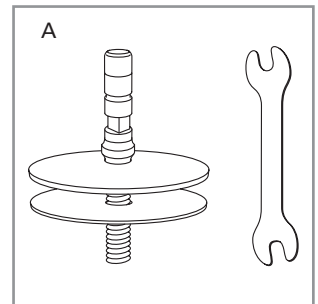
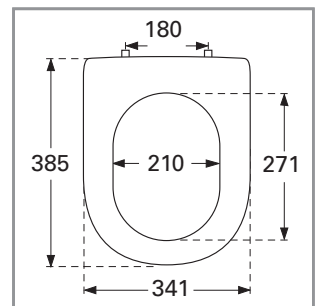




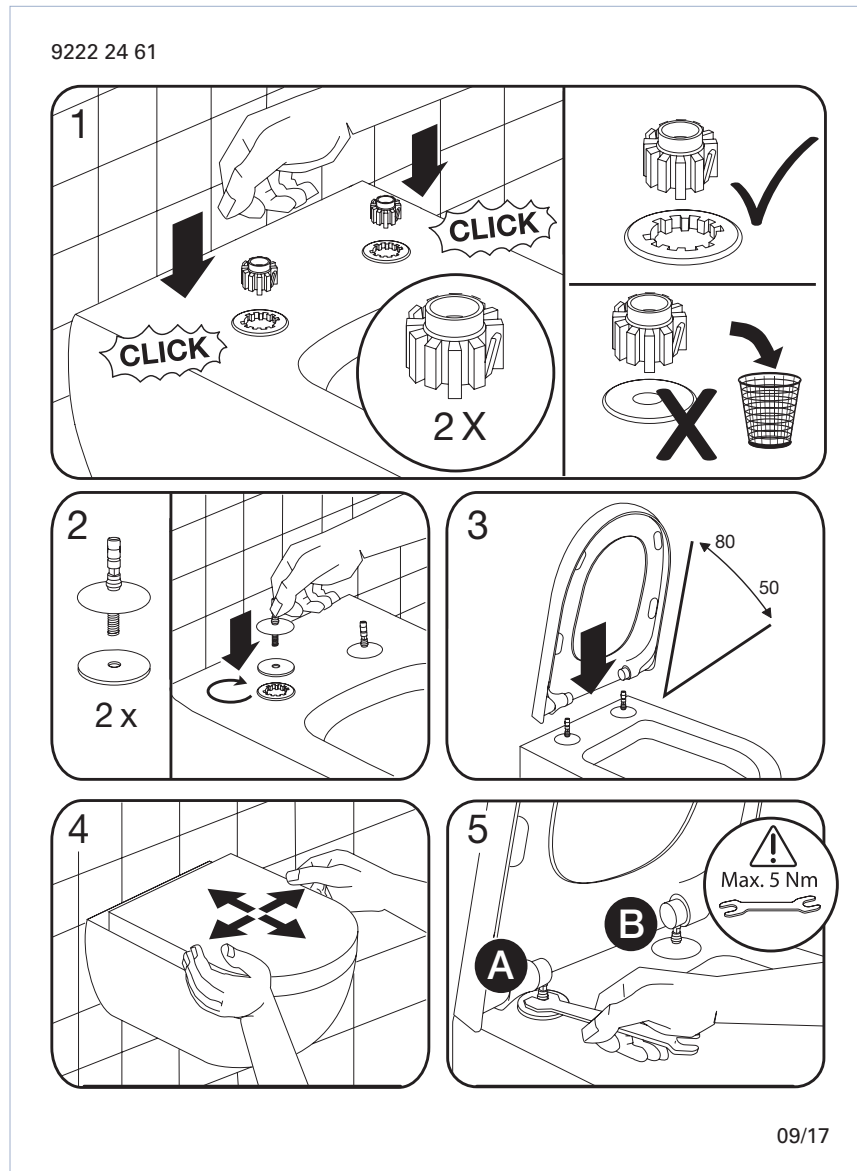
## Toilet seat Subway Compact 2.0 SC/QR

<b>Model</b>	<p><b>9M69S1</b> Subway Compact 2.0 toilet seat with Soft Closing and Quick Release, incl. 9222 24 61 fixed hinge with Quick Release</p> <p><b>9M69Q1</b> Subway Compact toilet seat with Quick Release, incl. 9222 24 61 fixed hinge with Quick Release</p>
<b>Product Description</b>	<p>Subway Compact 2.0 toilet seat in Wrap Over design made of colour ingrained duroplast with hinge in stainless steel and plastic</p> <ul style="list-style-type: none"> <li>- incl. universal top mounted toggle hinge with Quick Release in stainless steel</li> <li>- centre distance: 180 mm</li> <li>- load of ring seat: 240 kg</li> <li>- 10 year guarantee</li> </ul>
<b>Colour Programme</b>	<p>01 White (Alpin)</p> <p>R2 Star White</p> <p>R3 Pergamon</p>
<b>Hinge Finish</b>	<p>61 Stainless steel</p>
<b>Spare Parts</b>	<p>A) 9222 24 61 Fixed hinge with Quick Release in stainless steel and plastic</p> <p>B) 9222 92 00/ 9220 24 00 Soft Closing/ Quick Release packet</p> <p>C) 9220 81 00 Buffers for seat and cover</p>
<b>Cleaning Instructions</b>	<p>Use a mild soap solution. Seat and hinge should not be left damp, but be dried with a soft cloth. When using abrasive, corrosive or chlorine based cleaners for the bowl, avoid contact with seat and hinge as it may lead to damages or flash rust. Therefore, when cleaning the bowl, make sure that seat and cover are in an upright position until all the cleaner has been flushed away</p>



# Toilet seat Subway Compact 2.0 SC/QR

## Instruction manual



## Material Description

**TOILET SEAT:** The material is colour ingrained duroplast (UF A 10 = urea formaldehyde) that contains no environmentally hazardous substances. UF plastic comprises 67% urea formaldehyde resin, 28% cellulose, as well as 5% minerals, pigments, lubricants and moisture content. The raw material from the supplier contains less than 0,03% formaldehyde after a special curing process.

**BUFFERS:** EVA (copolymer made of ethylene and vinyl acetate).

**DAMPER KIT:** Hydraulic damper with stainless steel damper casing and plastic parts.  
Damper liquid: Anti-friction liquid.

**MOUNT/HINGE:** Stainless steel.

## Guarantee

The guarantee includes faults or defects in the material of our products within a period of 10 years. Products subject to minor technical modifications and design deviations E. & O.E.