



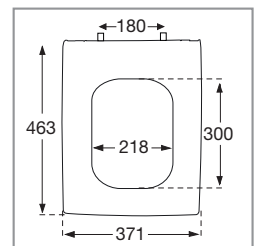
Toilet seat La Belle

Model

9M12 S1 La Belle toilet seat with Soft Closing and Quick Release, incl. 9222 24 61 fixed hinge with Quick Release
9M32 S1 La Belle toilet seat with Soft Closing and Quick Release, incl. 9220 55 61 universal toggle hinge with Quick Release

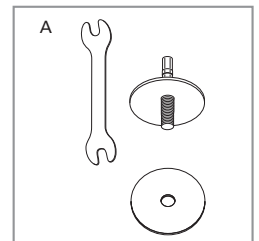
Product Description

La Belle toilet seat in Wrap Over design made of colour ingrained duroplast with fixed hinge in stainless steel and plastic
 – incl. fixed hinge with Quick Release in stainless steel and plastic
 – centre distance: 180 mm
 – load of ring seat: 240 kg
 – 10 year guarantee



Colour Programme

R1 White (Alpin)
 R2 Star White

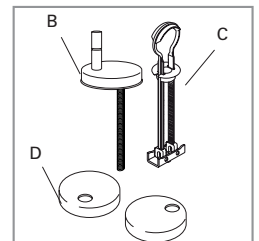


Hinge Finish

61 Stainless steel

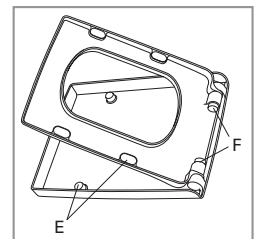
Spare Parts

- A) 9222 24 61 Fixed hinge
- B) 9220 55 61 Universal toggle hinge with Quick Release
- C) 9218 96 00 Spare part for universal toggle hinge
- D) 9222 05 00 Spare part cover caps for universal toggle hinge
- E) 9222 29 00 Buffers for seat and cover
- F) 9220 23 00 Soft Closing packet



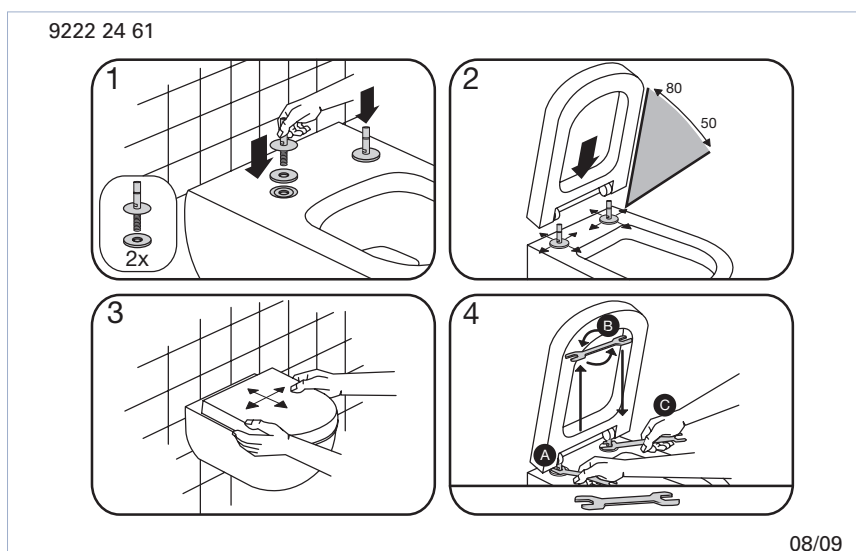
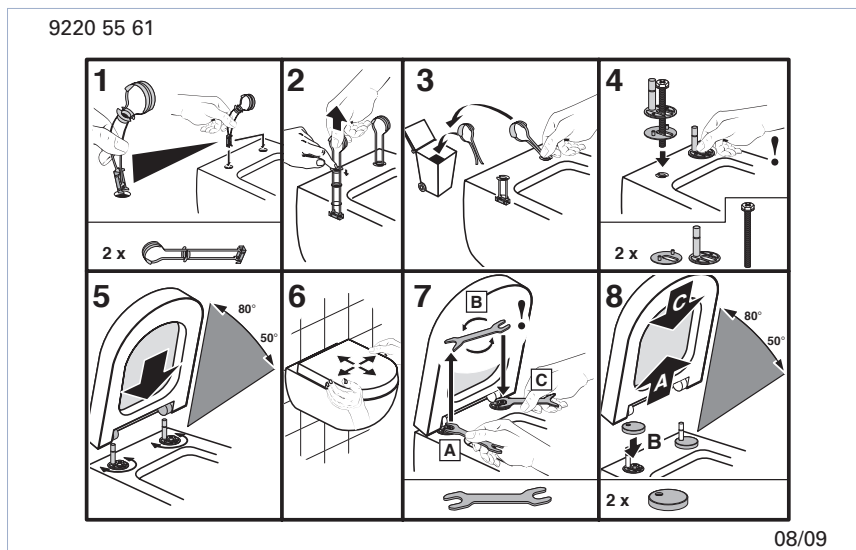
Cleaning Instructions

Use a mild soap solution. Seat and hinge should not be left damp, but be dried with a soft cloth. When using abrasive, corrosive or chlorine based cleaners for the bowl, avoid contact with seat and hinge as it may lead to damages or flash rust. Therefore, when cleaning the bowl, make sure that seat and cover are in an upright position until all the cleaner has been flushed away



Toilet seat La Belle

Instruction manual



[Click here for video](#)

Material Description

TOILET SEAT: The material is colour ingrained duroplast (UF A 10 = urea formaldehyde) that contains no environmentally hazardous substances. The body consists of approx. 50% urea (NH_2CONH_2), approx. 25% cellulose and approx. 25% formaldehyde (HCHO), as well as small amounts of various fillers and additives

BUFFERS: EVA (copolymer made of ethylene and vinyl acetate)

DAMPER KIT: Hydraulic damper with stainless steel damper casing and plastic parts
 Damper liquid: Anti-friction liquid

MOUNT/HINGE: Stainless steel and plastic

Guarantee

The guarantee includes faults or defects in the material of our products within a periode of 10 years. Products subject to minor technical modifications and design deviations E. & O.E.