



Toilet seat Century

Model

8843 61 Century toilet seat, incl. 9220 48 61 fixed hinge
8843 K0 Century toilet seat, incl. 8843 K0 61 fixed top mounted toggle hinge

Product Description

Century toilet seat in Wrap Over design made of colour ingrained duroplast with hinge in stainless steel and plastic
 – incl. fixed top mounted toggle hinge in stainless steel
 – centre distance: 155 mm
 – load of ring seat: 240 kg
 – 10 year guarantee

Colour Programme

R1 White (Alpin)
 R2 Star White
 R3 Pergamon

Hinge Finish

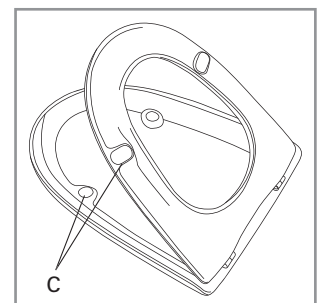
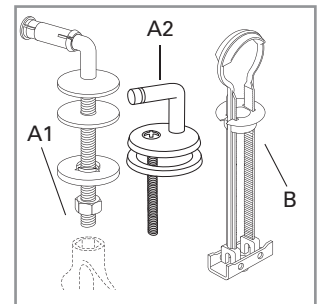
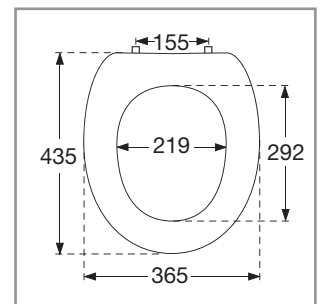
61 Stainless steel
 66 Noble Brass

Spare Parts

A1) 9220 48 61 Fixed hinge
 A2) 8843 K0 61 Fixed top mounted toggle hinge
 B) 9218 96 00 Spare part for fixed top mounted toggle hinge
 C) 9220 81 00 Buffers for seat and cover

Cleaning Instructions

Use a mild soap solution. Seat and hinge should not be left damp, but be dried with a soft cloth. When using abrasive, corrosive or chlorine based cleaners for the bowl, avoid contact with seat and hinge as it may lead to damages or flash rust. Therefore, when cleaning the bowl, make sure that seat and cover are in an upright position until all the cleaner has been flushed away



Villeroy & Boch

1748



Material Description

TOILET SEAT: The material is colour ingrained duroplast (UF A 10 = urea formaldehyde) that contains no environmentally hazardous substances. The body consists of approx. 50% urea (NH_2CONH_2), approx. 25% cellulose and approx. 25% formaldehyde (HCHO), as well as small amounts of various fillers and additives.

BUFFERS: EVA (copolymer made of ethylene and vinyl acetate).

MOUNT/HINGE: Stainless steel.

Guarantee

The guarantee includes faults or defects in the material of our products within a periode of 10 years. Products subject to minor technical modifications and design deviations E. & O.E.